

VIEW A-A

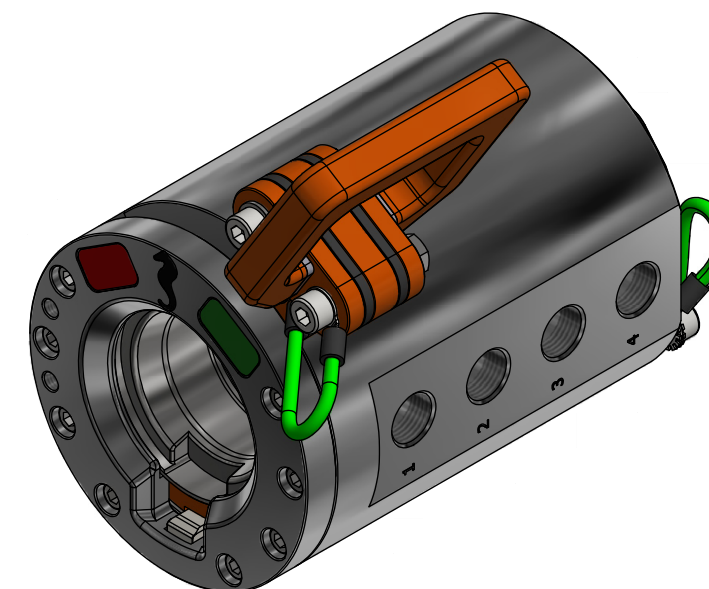
NOTE: 1
DESIGN CODE:
N/A

NOTE: 2
TECHNICAL CLASSIFICATION:
Article Type: 003-Valve Stabs
Main Group: 3.03. Ø55-Valvestab
Intermediate Group: 3.12.02. Receptacle
Sub Group: 3.12.69.4. Quad

NOTE: 3
INTERFACE INFORMATION:
Pressure Rating Bar: 690
Design Water Depth: N/A
Material: Intervention
Weight: 14,9 kg
Volume: 1,93 dm³
Submerged Weight: 12,92 kg
Surface Area: 3988 cm²
Hydraulic: 1/2" BSP
Mechanical: N/A
Electrical: N/A
Com. & Protocol: N/A

NOTE: 4
SPAREPARTS:
BB1690

NOTE: 5
ADDITIONAL INFORMATION:
This VStab receptacle is only compatible with quad port Vstab. Mating of Vstabs and Vstab receptacles with different number of ports may cause injuries, equipment damage and spill of fluid.



10	29.5.2024	9-IFU (Issued for Use)		WTJ	HNJ	WTJ
09	30.11.2023	9-IFU (Issued for Use)		WTJ	LGH	WTJ
08	28.12.2018	9-IFU (Issued for Use)		WTJ	LGH	WTJ
07	23.3.2018	9-IFU (Issued for Use)		WTJ	LGH	WTJ
Rev.	Date	Reason for issue	Revision change	Made	Chk'd	Appr.



Dwg Scale:	NTS
Dwg Proj:	⊕
Dwg Format:	A3

Drawing title:	Ø55 QP VStab Rec 10k Interv BSP 1/2"
Drawing number:	BA8396
Rev.	10